



| | | | | |
|--------------------------------------|---------------------|----------------------|----|-------------|
| <h1>HOW TO</h1> | Document # | Model name | | |
| | HT00136E | ECO-55 / ECO-55ST | | |
| Replace the combustion blower | Model number | Serial number | | Date |
| | DP00070 / DP00071 | 100 | to | ... |
| | | 30-05-2017 | | |

WARNING



HOT SURFACE. ALLOW TO COOL BEFORE SERVICING.

DANGER

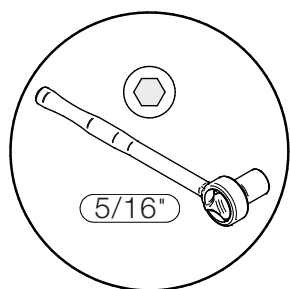


DISCONNECT ALL SOURCE OF POWER BEFORE SERVICING THE STOVE.

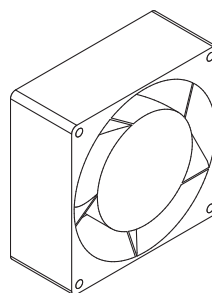
NOTE

For part numbers, visit our website at www.drolet.ca/en/parts/

TOOLS REQUIRED :

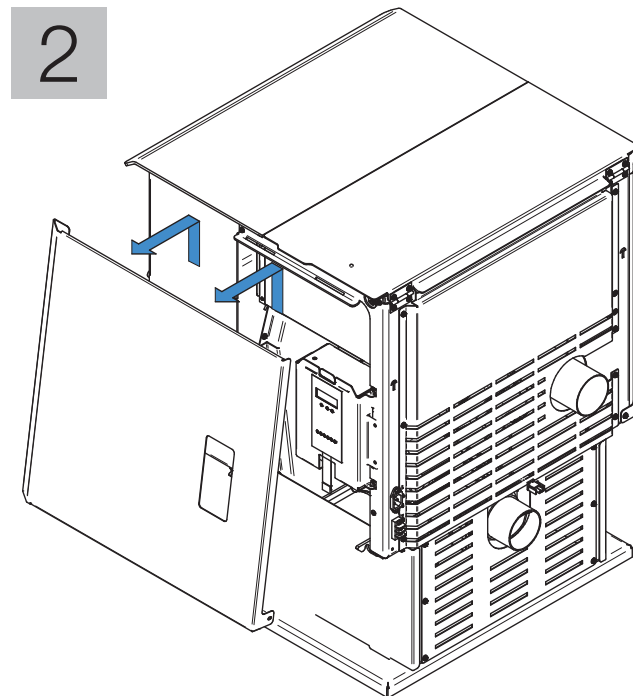
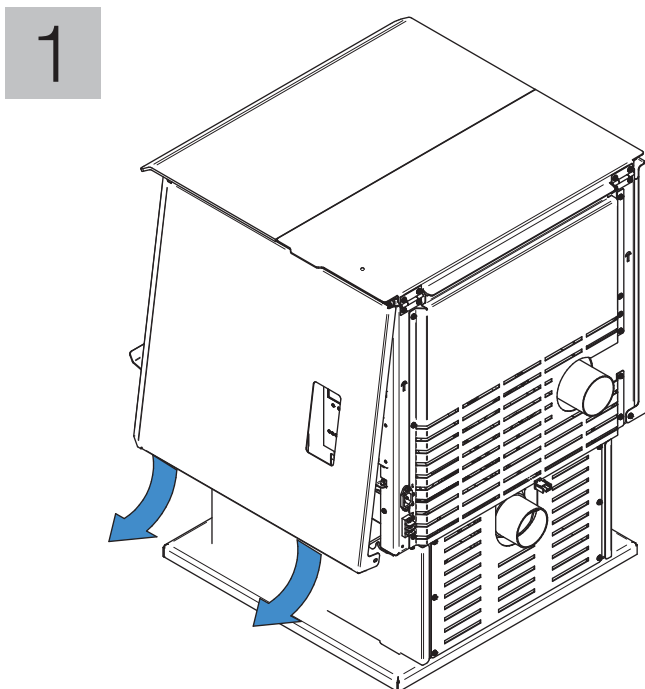


PARTS REQUIRED :

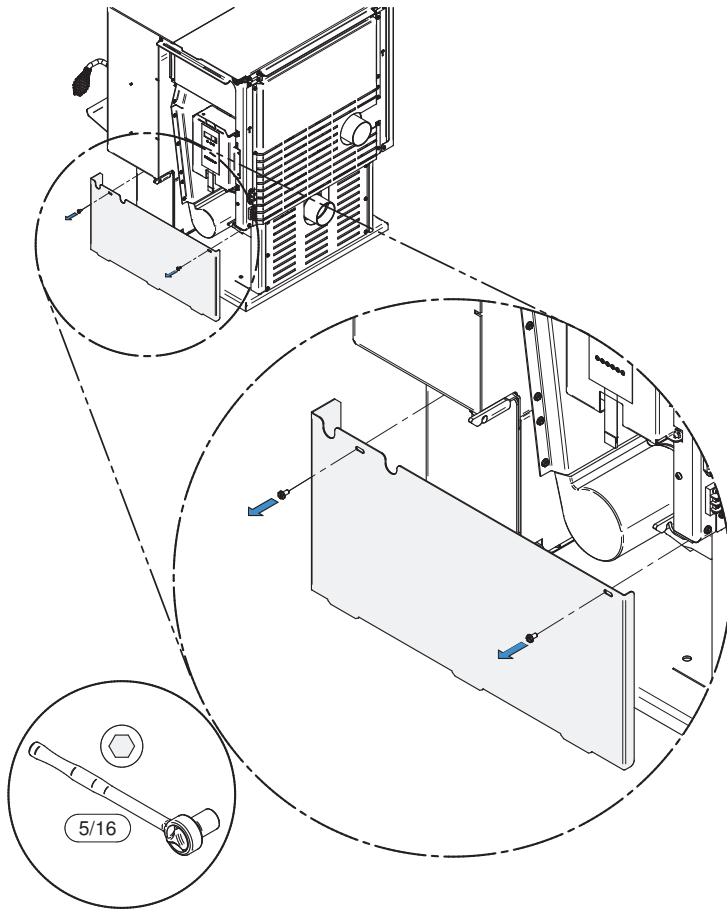


Blower

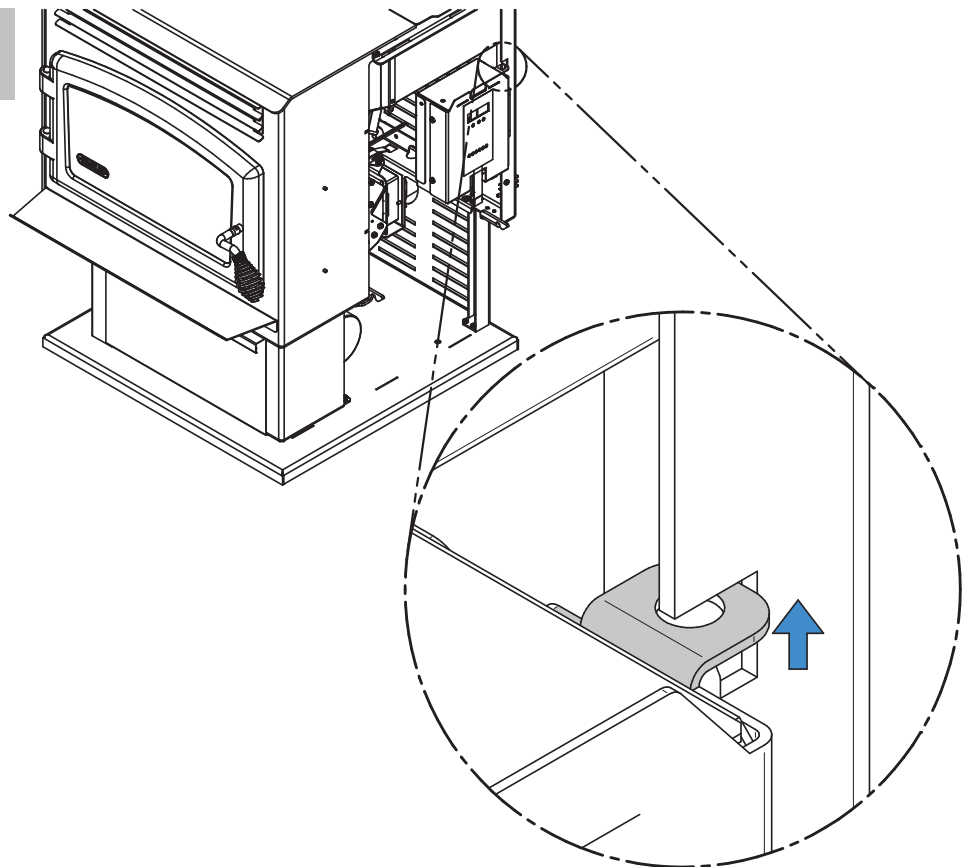
PROCEDURE :



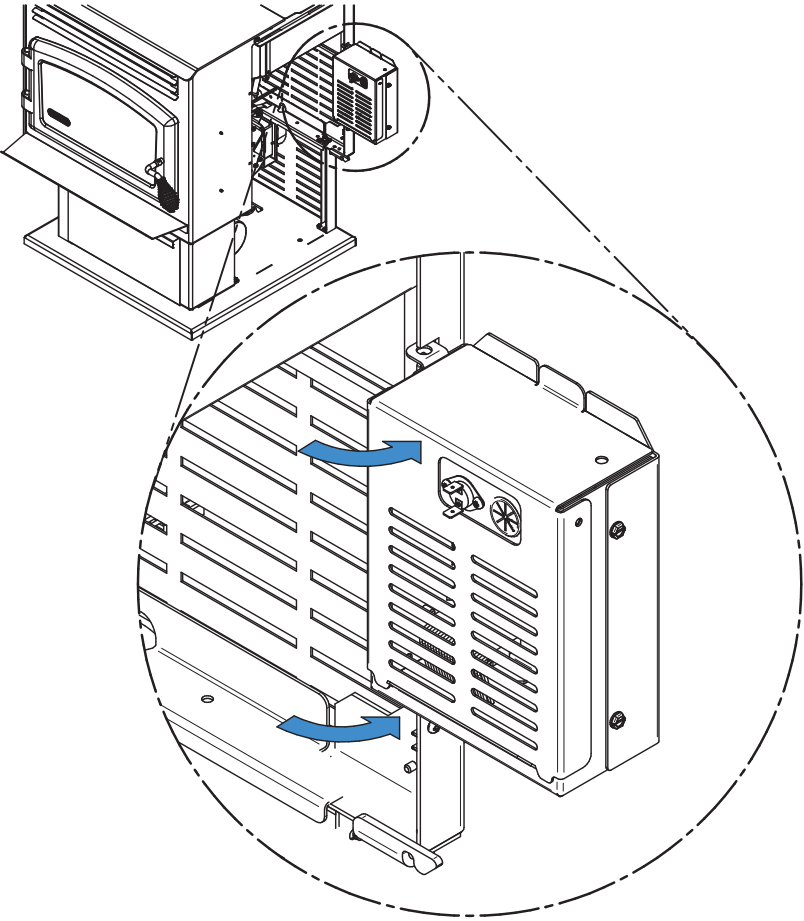
3



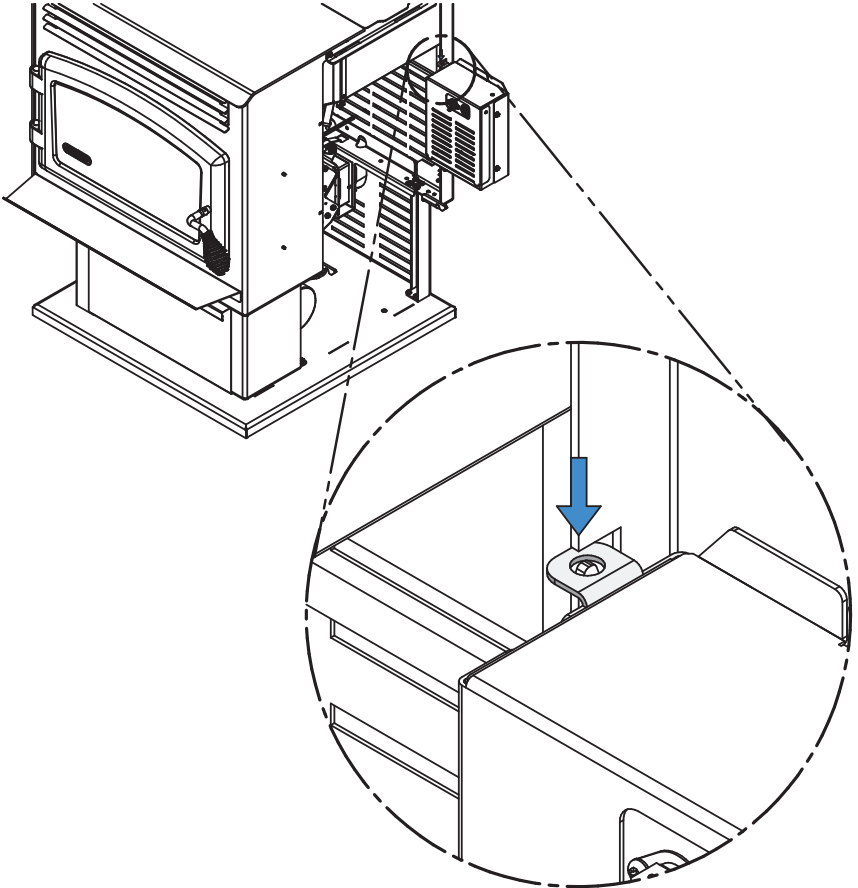
4



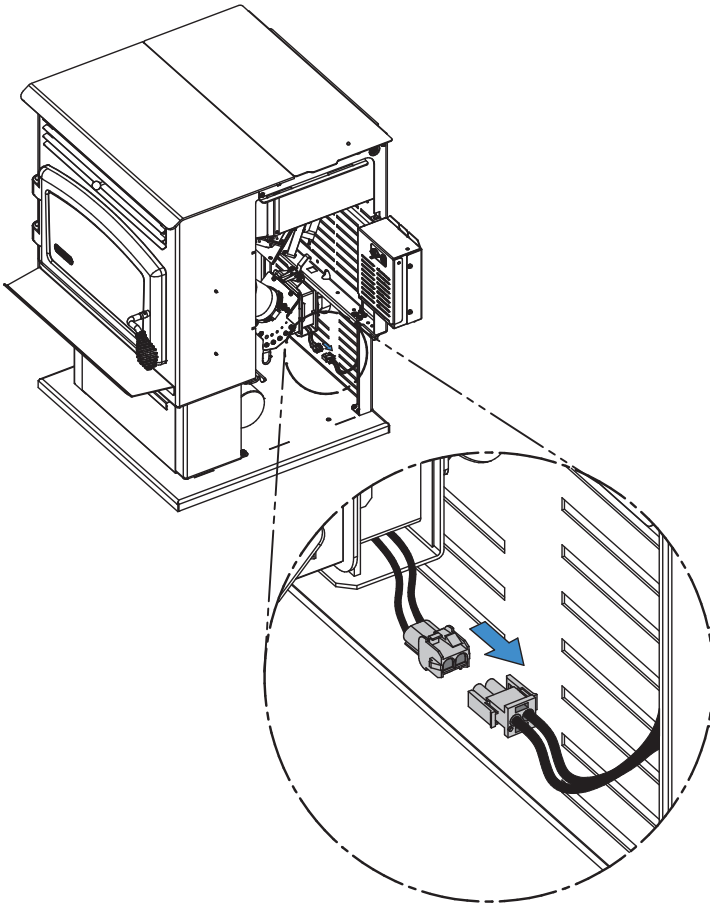
5



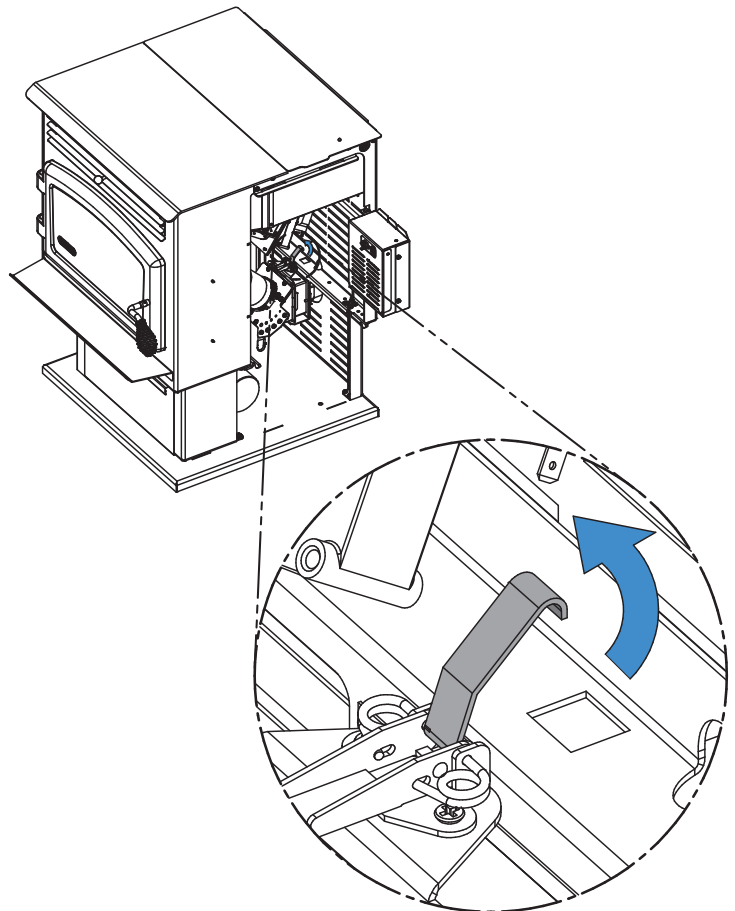
6



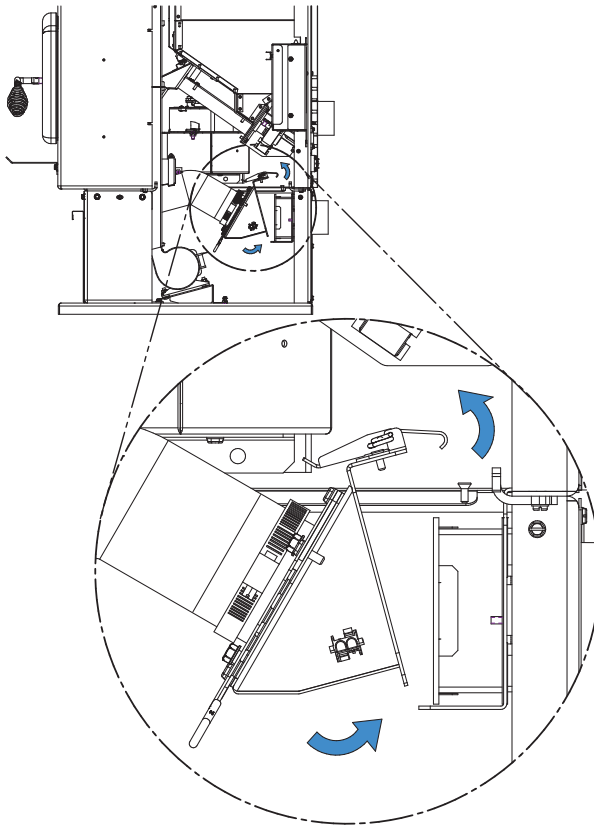
7



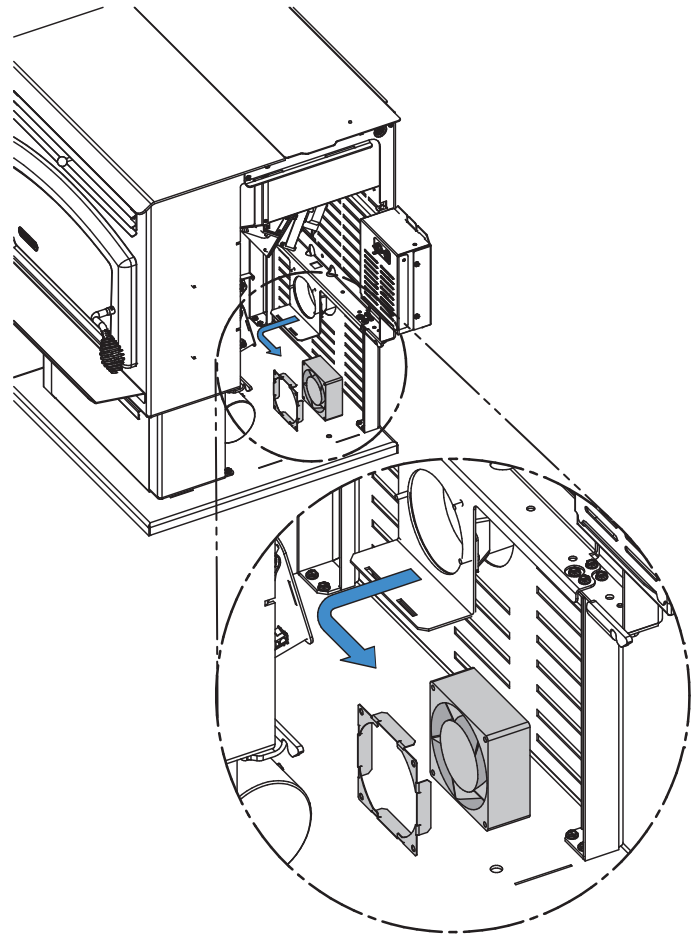
8



9



10



11

Follow previous steps in reverse order to reinstall.

This document is available for free download on the manufacturer's website. It is a copyrighted document. Re-sale is strictly prohibited. The manufacturer may update this document from time to time and cannot be responsible for problems, injuries, or damages arising out of the use of information contained in any document obtained from unauthorized sources.

Stove Builder International inc.
250, rue de Copenhague,
St-Augustin-de-Desmaures (Québec) Canada
G3A 2H3
Customer service : 418-908-8002
Email : tech@sbi-international.com
www.drolet.ca